

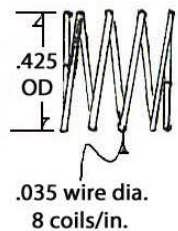
MATERIALS:

- **VALVE BODY:**
360 BRASS
- **SPRING CAP:**
360 BRASS
- **ROD:**
303 STAINLESS STEEL
- **SPRING:**
STAINLESS STEEL
- **SEAL:**
VITON RUBBER (BLACK)

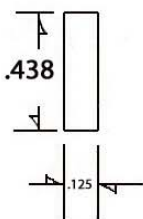
TOLERANCES

- .XX ± .01"
- .XXX ± .002"
- .XXXX ± .0005"
- FRACTIONS ± .01"

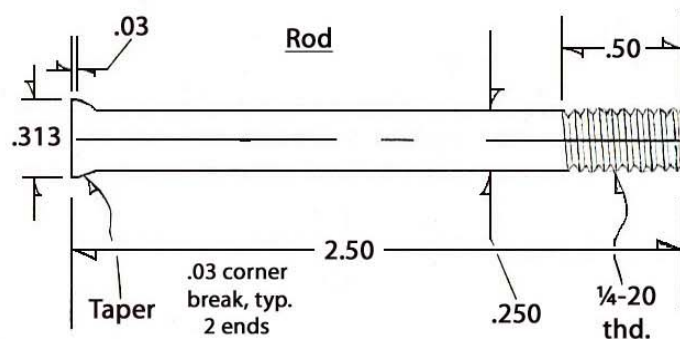
Spring



Seal



Rod



This drawing and design are proprietary to BAKER INDUSTRIES NORTHWEST, and may not be copied or duplicated in whole or in part without the written permission of BAKER INDUSTRIES NW.

#895 DRAIN VALVE

BAKER INDUSTRIES NORTHWEST

12428 Highway 99 South, Unit 56
Everett, Washington 98204-5502

Tel: (425)212-3169 • FAX: (425)353-6788 • e-mail: larry@bakerindnw.com
www.bakerindustriessouthwest.com

REV		DRAWN	CHECKED	DATE
REV		LRG		01-07-93
REV	A	LRG		01-20-93
REV	B	LRG		03-18-93

