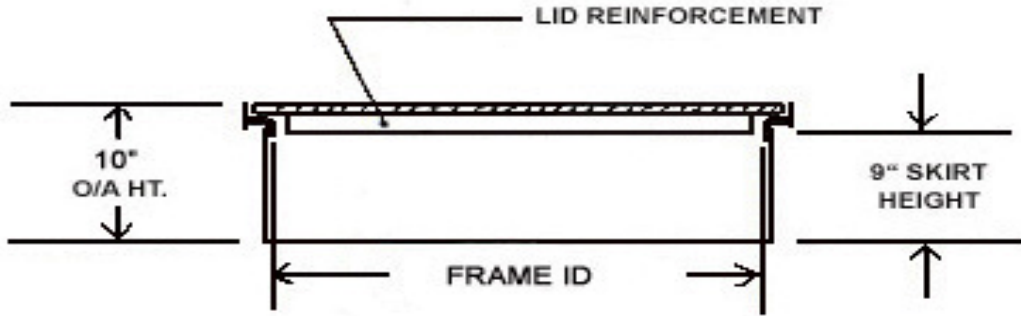
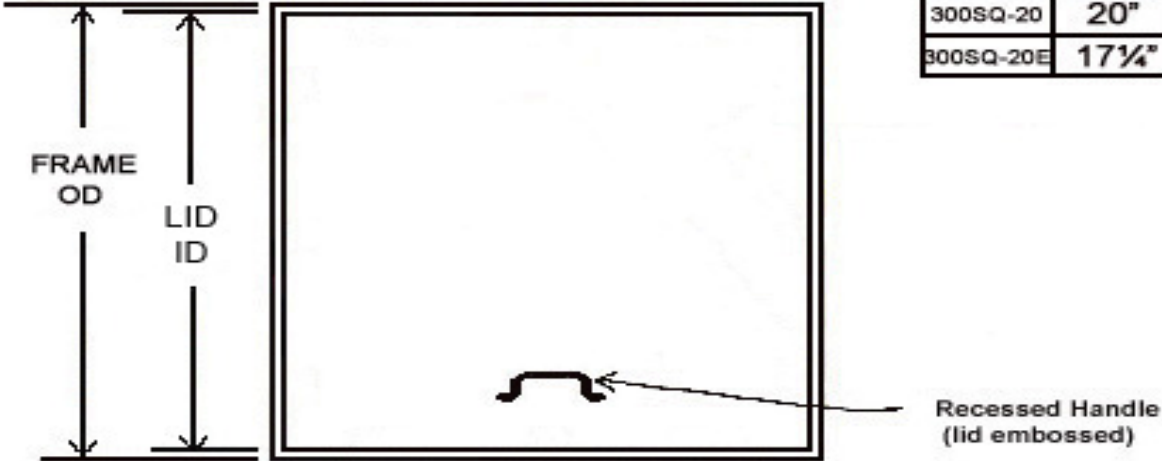


| MODEL | FRAME ID | LID |
|-----------|----------|---------|
| 300SQ-24 | 24" | 26 1/4" |
| 300SQ-24E | 21 1/4" | 24" |
| 300SQ-20 | 20" | 22 1/4" |
| 300SQ-20E | 17 1/4" | 20" |



MATERIALS:

- **LID:**
3/8" DIAMOND FLOOR PLATE, CARBON STEEL
- **SKIRT:**
16GA GALVANIZED STEEL
- **FRAME:**
1 1/2" X 1 1/2" X 3/16" HR STEEL ANGLE, 1/8" X 1" HR STEEL STRIP
- **HANDLE:**
3/8"DIA ROUND BAR STEEL

This drawing and design are proprietary to BAKER INDUSTRIES NORTHWEST, and may not be copied or duplicated in whole or in part without the written permission of BAKER INDUSTRIES NW.

**#300SQ SERIES GROUND LEVEL ACCESS BOX
LOOSE LID H20 LOAD RATED**

BAKER INDUSTRIES NORTHWEST
12428 Highway 99 South, Unit 56
Everett, Washington 98204-5502
Tel:(425)212-3169 • FAX:(425)353-6788 • e-mail: larry@bakerindnw.com
www.bakerindustriessouthwest.com

| REV | | DRAWN | CHECKED | DATE |
|-----|--|-------|---------|----------|
| REV | | LRG | RBW | 03-28-95 |
| REV | | SLG | LRG | 03-05-06 |
| REV | | | | |
| | | | | |

