

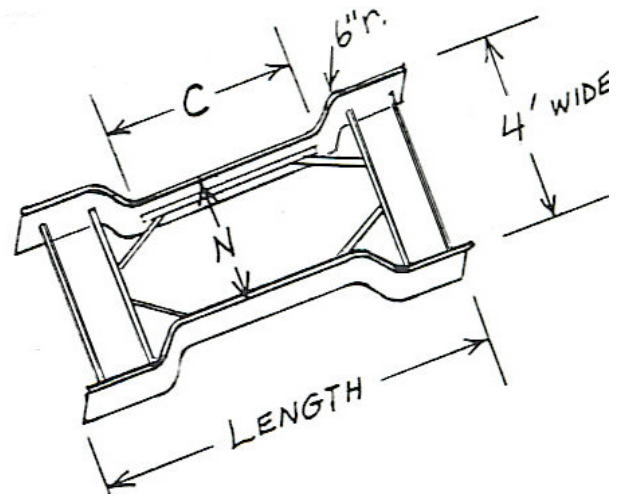
BAKER INDUSTRIES NORTHWEST

Phone (425) 212-3169 • FAX (425) 353-6788 • e-mail: ben@bakerindnw.com
www.bakerindustriestnorthwest.com

ISLAND FORM COMPONENTS

"TAPERED" CENTER SECTIONS

To order please specify:			
example:			
	570	- 66	- 30 - 48
	Model	Length	Waist Width
		(in.)	(in.)
			"N"
			"C"
			Waist Length
			(in.)



NOTE: Any 4'0" * end listed on previous page can be used with any "Tapered" center section of the same height (9" or 13"). Assembly of Islands of any length can be done using stock components. Tapered Islands with unequal ends can also be assembled from stock components.

5'6" Length

6'6" Length

7'6" Length

N=24" or 30 C=24"				N=24" or 30" C=24" or 30"				N=24" or 30" C=24", 30" or 48"			
Model 570 9" High		Model 575 13" High		Model 570 9" High		Model 575 13" High		Model 570 9" High		Model 575 13" High	
Price	Wt.	Price	Wt.	Price	Wt.	Price	Wt.	Price	Wt.	Price	Wt.
\$	63lb	\$	83lb	\$	71lb	\$	93lb	\$	78lb	\$	103lb

8'6" Length

9'6" Length

N=24" or 30" C=24", 30" or 48"				N=24" or 30" C=24", 30" or 48"			
Model 570 9" High		Model 575 13" High		Model 570 9" High		Model 575 13" High	
Price	Wt.	Price	Wt.	Price	Wt.	Price	Wt.
\$	87lb	\$	117lb	\$	96lb	\$	129lb

