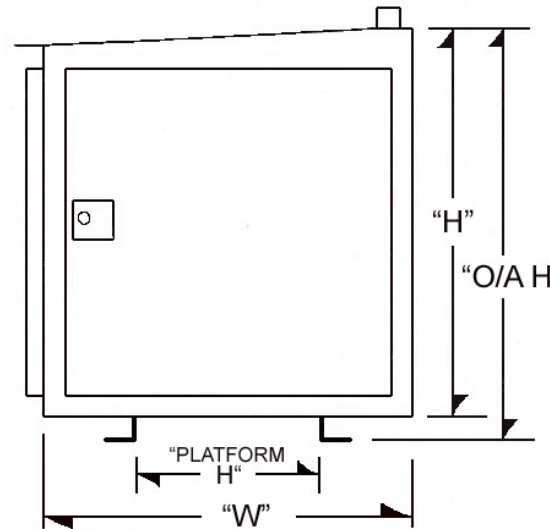
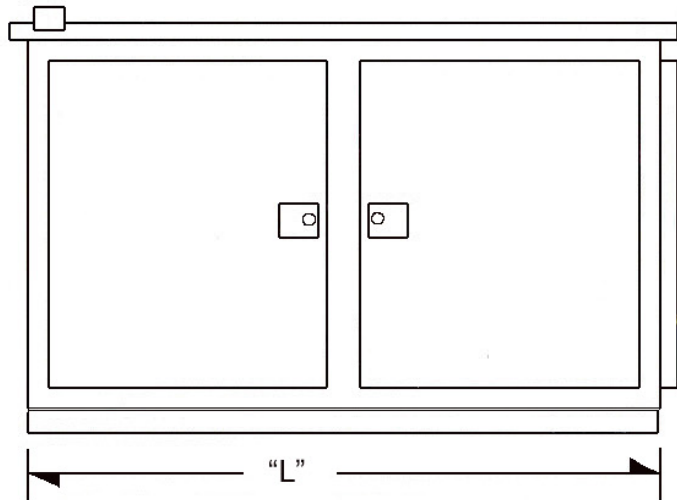


**MATERIALS:**

- **CABINET:**  
12GA STEEL
- **BASE:**  
3" X 4.1# CHANNEL
- **DOORS:**  
12GA STEEL, FLANGED,  
RECESSED KEY LOCKS
- **COATING:**  
POWDERCOAT POLYESTER  
INTERIOR AND EXTERIOR



**CAUTION**

FLAMMABLE OR COMBUSTIBLE LIQUIDS/VAPORS MAY BE PRESENT. KEEP AWAY SPARKS, FLAME, IGNITION SOURCES. EXTINGUISH SMOKING MATERIALS. KEEP DOOR CLOSED AND LOCKED WHEN NOT IN USE.

This drawing and design are proprietary to BAKER INDUSTRIES NORTHWEST, and may not be copied or duplicated in whole or in part without the written permission of BAKER INDUSTRIES NW.

**#2100 SERIES EQUIPMENT CABINET**

**2100-00-00-00**

**BAKER INDUSTRIES NORTHWEST**

12428 Highway 99 South, Unit 56  
Everett, Washington 98204-5502

Tel:(425)212-3169 • FAX:(425)353-6788 • e-mail: [larry@bakerindnw.com](mailto:larry@bakerindnw.com)  
[www.bakerindustriesnorthwest.com](http://www.bakerindustriesnorthwest.com)

REV

REV

REV

DRAWN

LRG

SLG

CHECKED

RBW

LRG

DATE

06-26-98

03-05-06

